

Immediate Smile[®] Model online ordering guidelines

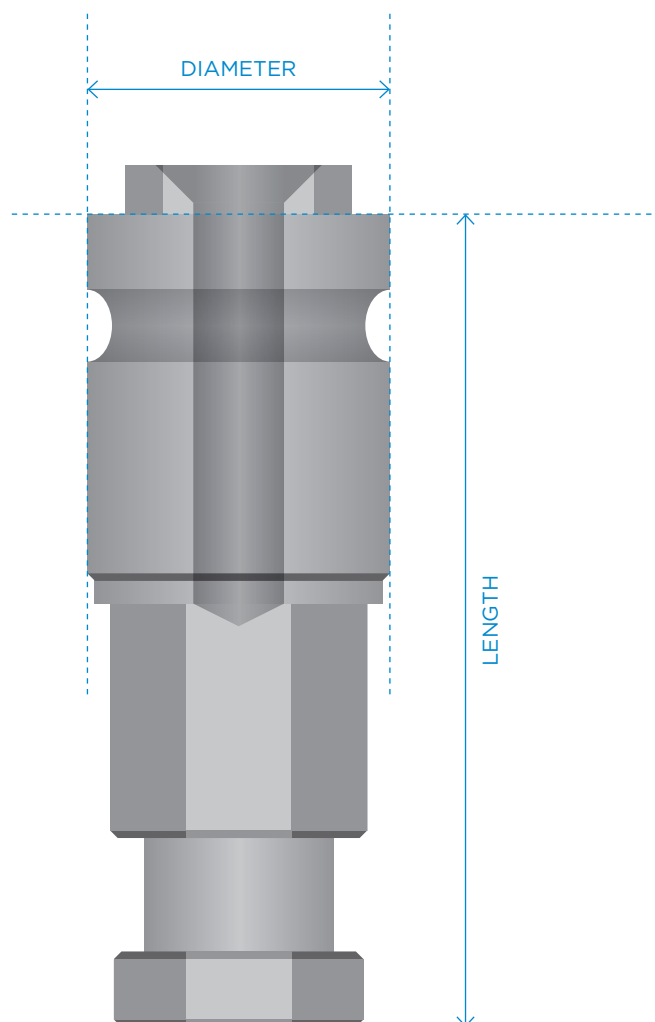
To be able to fabricate the Immediate Smile Model we need the dimensions of the implant analogs you are going to use.

Check the list of the most commonly used implant analogs and fill in the corresponding values in the online shop.

If your implant analog is not available in the list below, please use following guidelines to measure your analogs correctly.

Two parameters are required: analog length and analog diameter (see fig.).

- The analog length is the total length without external hex, if applicable.
- The analog diameter is the widest diameter.



Implant manufacturer	Implant reference	Analog reference	Analog description	Analog length	Analog occlusal diameter	Analog apical diameter
Dentsply Sirona	Ankylos C/X A3.5	3104 7011		11	3.55	3.55
	Ankylos C/X B4.5	3104 7012		11	4.55	4.55
	Astra Tech Implant System EV / 3.0	25543	Green 3.0	16.5	3.05	1.7
	Astra Tech Implant System EV / 3.6	25544	Purple 3.6	16.5	3.65	2.15
	Astra Tech Implant System EV / 4.2	25545	Yellow 4.2	16.5	4.25	2.8
	Astra Tech Implant System EV / 4.8	25546	Blue 4.8	16.5	4.85	2.8
	Astra Tech Implant System EV / 5.4	25547	Brown 5.4	16.5	5.45	2.8
	Astra Tech Implant System TX / 3.0	24977	Yellow 3.0	15	3.1	3.1
	Astra Tech Implant System TX / 3.5	24978	Aqua 3.5/4.0	15	3.5	3.5
	Astra Tech Implant System TX / 4.0	24978	Aqua 3.5/4.0	15	3.5	3.5
	Astra Tech Implant System TX / 4.5	24979	Lila 4.5/5.0	15.5	4.5	3.5
	Astra Tech Implant System TX / 5.0	24979	Lila 4.5/5.0	15.5	4.5	3.5
	Astra Tech Implant System TX / Profile	25047	Profile	15.5		
	Xive 3.0	3245 4020	D3.0	13	3.15	3.15
	Xive 3.4	3245 4030	D3.4	13	3.5	3.5
	Xive 3.8	3245 4040	D3.8	13	3.9	3.9
	Xive 4.5	3245 4050	D4.5	13	4.6	4.6
	Xive 5.5	3245 4060	D5.5	13	5.5	5.5
Biomet 3i	Osseotite Certain Parallel Walled		IMMILA	14.60	3.45	3.45
	Osseotite Certain Parallel Walled		IILA20	15.15	4.10	4.10
	Osseotite Certain Parallel Walled		IILAW5	15.15	5.10	5.10
	Osseotite Certain Parallel Walled		IILAW6	15.15	6.05	6.05
Camlog	Screw-Line		3.8T	10	3.8	3.8
	Screw-Line		4.3T	10	4.3	4.3
Nobel Biocare	Brånemark System		RP	13.1	4.1	4.1
	Brånemark System		WP	12.1	5.1	5.1
	NobelReplace		NP	12.1	3.8	3.8
	NobelReplace		RP	11.1	4.2	4.2
	NobelReplace		WP	11.1	5	5
	NobelReplace		WWP	11.1	6	6
Straumann	Bone-level NP			12.5	3.2	3.2
	Bone-level RP			12.5	4	4
	Bone-level WP			12.6	4.7	4.7
Zimmer Dental	Tapered Screw Vent		Green, IA3	13.75	3.65	3.65
	Tapered Screw Vent		Purple, IA4	13.75	4.65	4.65
	Tapered Screw Vent		Yellow, IA5	13.75	5.85	5.85